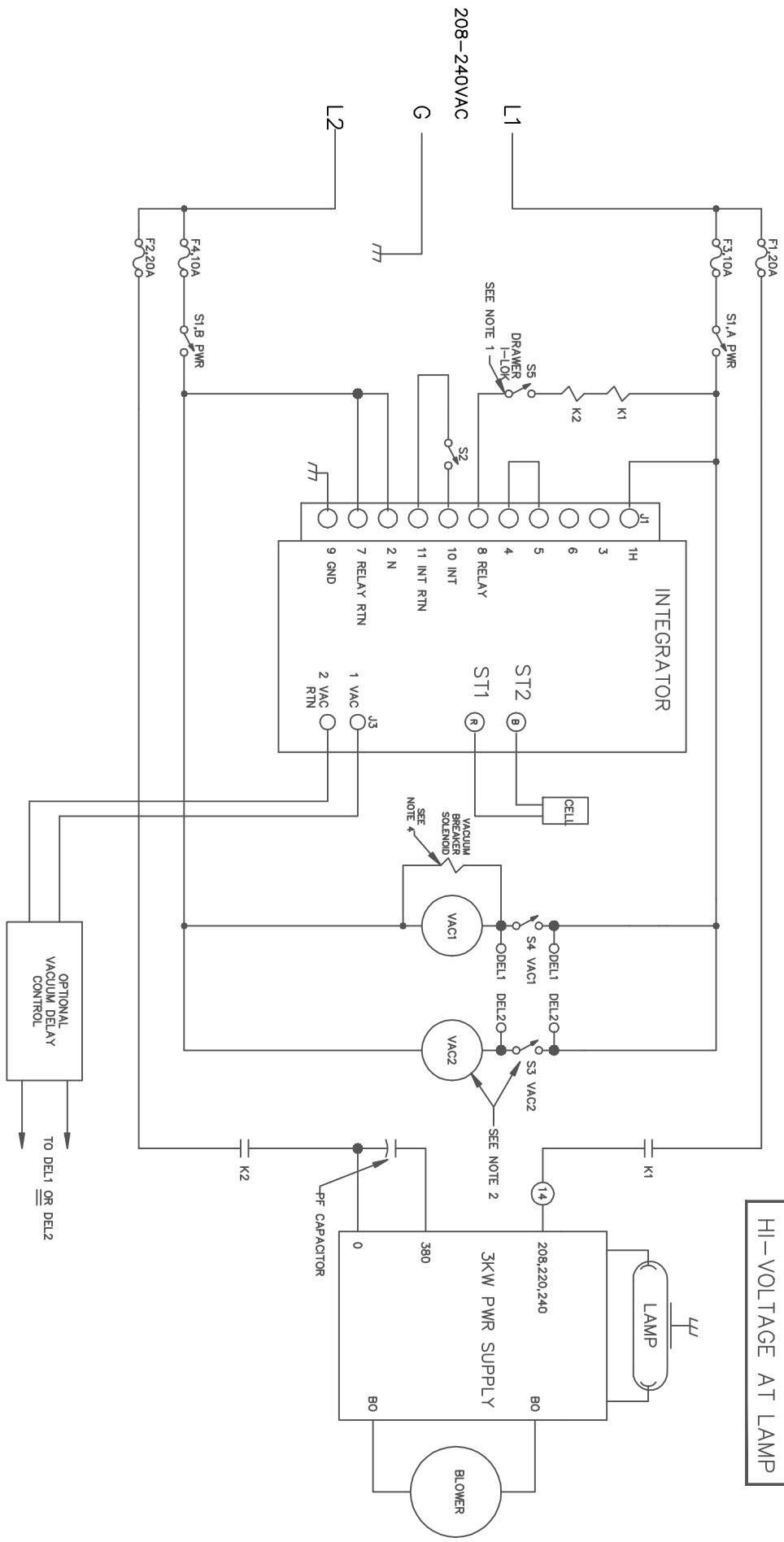


SYM	REVISION	BY	DATE	APD
-----	----------	----	------	-----

CAUTION:
DO NOT MEASURE
HI-VOLTAGE AT LAMP



NOTES:

1. SWITCH S5 USED ON 453 SERIES
2. SWITCH S3 & VAC2 USED ONLY ON DS MODELS
3. VAC PUMPS MUST BE DERATED IF RUN ON OTHER THAN RATED VOLTAGE.
4. VAC BREAKER USED ONLY ON 2835E SERIES w/ DIAPHRAM PUMPS

ITEM REQ'D	PART NUMBER	NOMENCLATURE	
TITLE: SCHEMATIC, MAGNUM 3KW			
MATERIAL:		AMERGRAPH	
FINISH:	SIZE	DRWN	REL
UNLESS OTHERWISE SPECIFIED	C	CHK'D	01/20/92
FRACT. ± 1/64	ANGULAR 1/2°	APPR'D	
DECIMAL ± .005	HOLE DIA'S ± .005	DRWG NUMBER	70009
DO NOT SCALE THIS PRINT		ALL DIMENSIONS ARE IN INCHES	REV
		REMOVE ALL BORES BREAK ALL SHARP EDGES	