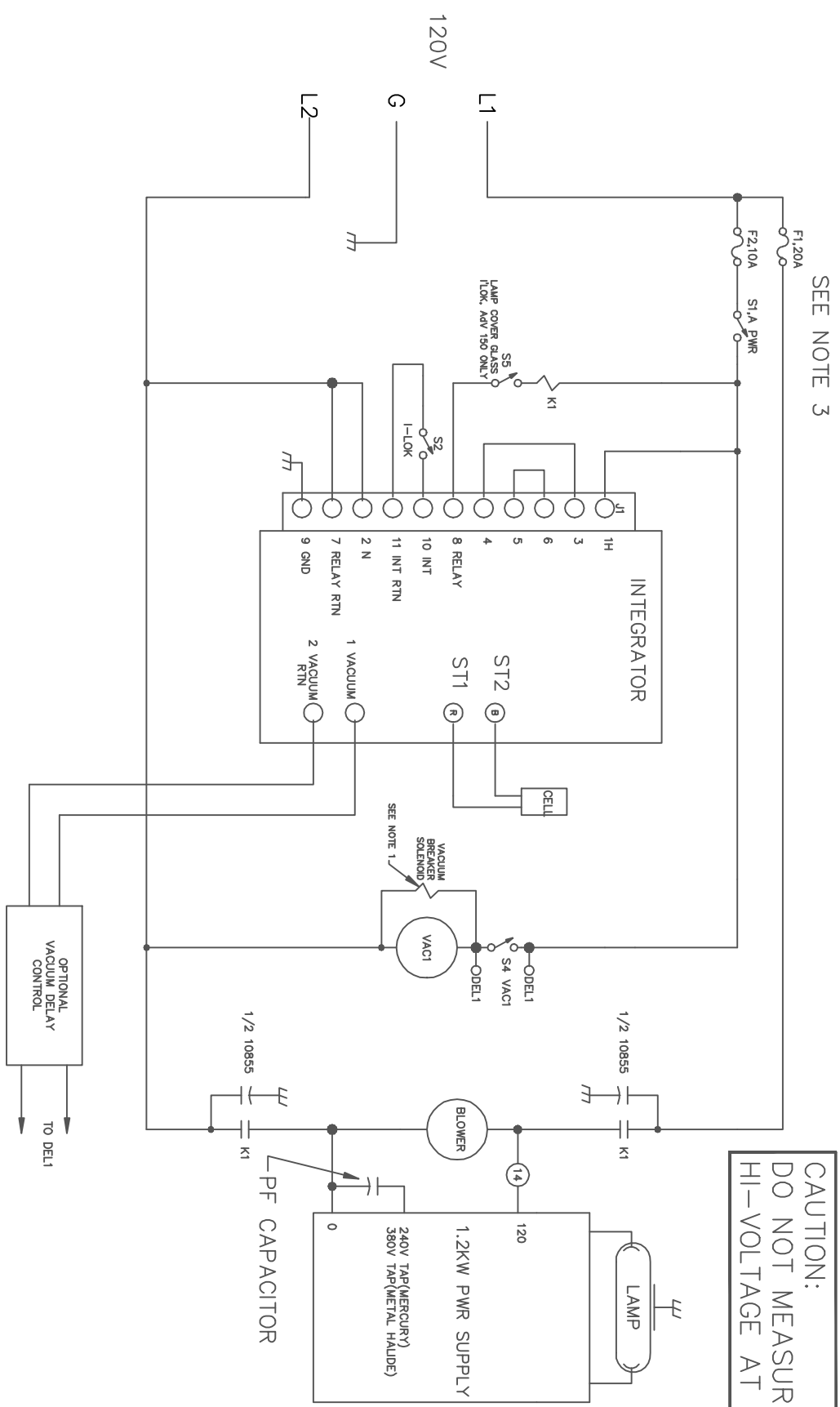


SYM	REVISION	BY	DATE	APD
A	ADDED SS	RL	1.20.99	

CAUTION:
DO NOT MEASURE
HI-VOLTAGE AT LAMP



SEE NOTE 3

- NOTES:
- 1, VAC.BREAKER SOLENOID USED ON 281SE & DP-28 SERIES w DIAPHRAM PUMPS
 - 2, 10855 NOT USED ON 281SE
 - 3, A 20A CIRCUIT BREAKER IS USED ON SOME MODELS

ITEM REQ'D	PART NUMBER	NOMENCLATURE	
TITLE: SCHEMATIC, 1.2KW, 120V			
MATERIAL:			
FINISH:			
UNLESS OTHERWISE SPECIFIED TOLERANCES ARE: FRACT. ± 1/64 ANGLUAR 1/2° DECIMAL ± .005 HOLE DIA'S ± .005			
DO NOT SCALE THIS PRINT		ALL DIMENSIONS ARE IN INCHES REMOVE ALL BURRS BREAK ALL SHARP EDGES	
SIZE	DRWN	REL	DATE
C	CHK'D		12/03/91
APP'D	APP'D	DRWG NUMBER	REV
		70058	A