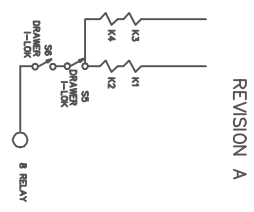
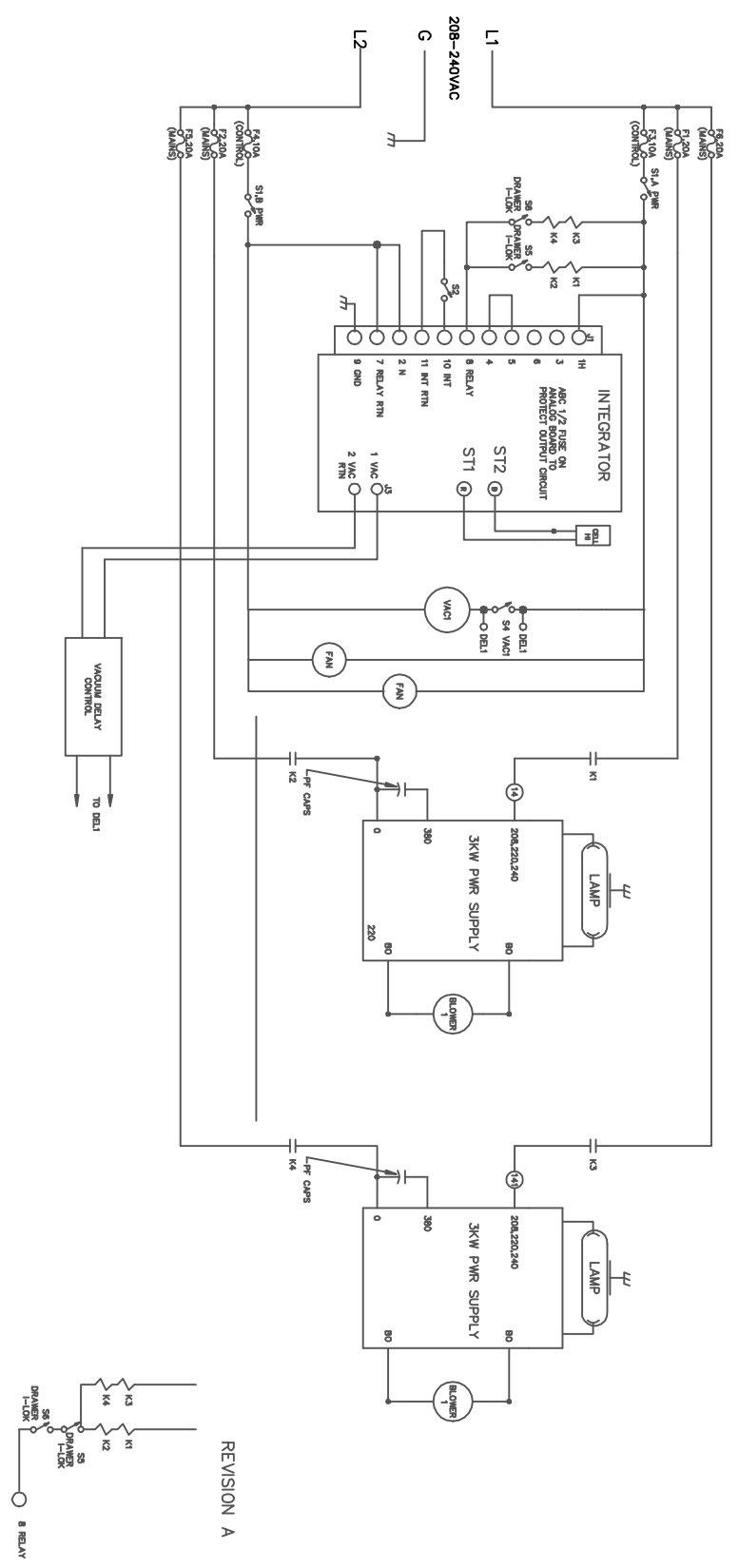


REV	REVISION	DATE	APP
1	ADDED OCT SO THAT BOTH DRAWERS MUST BE CLOSED FOR EITHER LIGHT TO OPERATE	8/20/88	

CAUTION:
DO NOT MEASURE
HI-VOLTAGE AT LAMP



NOTES:
VAC PUMPS MUST BE OPERATED
F PUMP ON OTHER THAN RATED VOLTAGE.

ITEM	REV	DATE	APP
1			

TITLE: SCHEMATIC ADV385/395, 3KW AMBERGRAPH
 DRAWN: N.L.
 CHECKED: C
 DATE: 7/7/83
 DO NOT SCALE THIS PRINT
 ALL DIMENSIONS ARE IN INCHES UNLESS OTHERWISE SPECIFIED
 ALL DIMENSIONS ARE IN MILLIMETERS UNLESS OTHERWISE SPECIFIED